



# TR-X SERIES

## TR-X系列



### 可控硅调光-三档&五档调色温驱动

Triac Dimming - three speed&five speed color temperature drive

- ▶ 输入电压/Input Voltage: 120Vac/120-277Vac
- ▶ 输入频率/Input Frequency: 50/60Hz
- ▶ 频闪率小于1%或30%  
The stroboscopic rate is less than 1% or 30%
- ▶ 功能配置/Function configuration:
  - I : 内置三档拨码调色温/Built-in three dial color temperature
  - II : 内置五档拨码调色温/Built-in five dial color temperature

### 产品功率 Product power

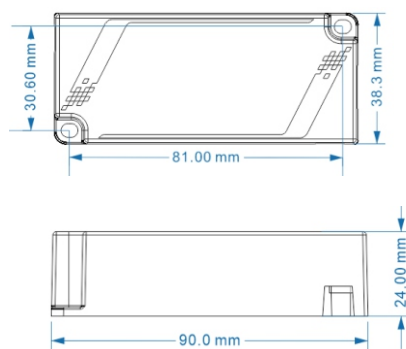
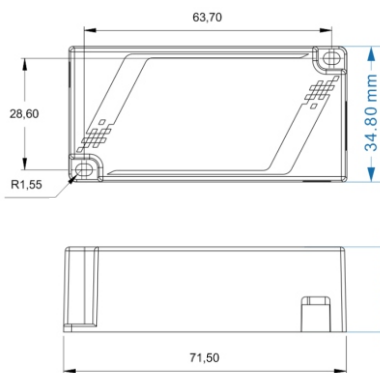
10W 16W 26W 32W

### 应用灯具 Application luminaire

室内家居、商业照明  
Indoor household、commercial lighting

### 产品尺寸 Product Size

单位/Unit: mm



### 型号参数列表 Model Parameter List

产品型号 Product Model	输出功率 PO	输出电压 Vout	输出电流 Lout	功率因素 PF	效率 Efficiency	外壳尺寸 (mm) dimensions (mm)
TRX-010K-YYY-XV*	10W	21-40V	250mA	≥0.90	≥86%	L71.5XW34.8XH21.5
TRX-016K-YYY-XV*	16W	21-40V	400mA	≥0.90	≥86%	L71.5XW34.8XH21.5
TRX-026K-YYY-XV*	26W	27-40V	650mA	≥0.90	≥86%	L90XW38.3XH24
TRX-032K-YYY-XV*	32W	27-40V	750mA	≥0.90	≥86%	L90XW38.3XH24

### 适配调光器明细表 Approved Dimmer List

序号 No:	品牌 Manufacturer	型号 PartNumber	序号 No:	品牌 Manufacturer	型号 PartNumber	序号 No:	品牌 Manufacturer	型号 PartNumber
1	LUTRON	DVCL-153PR(15%)	8	LUTRON	STCL-153PH-WH(5%)	15	LUTRON	TGCL-153P
2	LEVITON	R11-DSL06-1TW(15%)	9	TP-LINK	HS220(5%)	16	LUTRON	PD-6WCL
3	COMMERCIAL ELECTRIC	HPDA311CWB(15%)	10	LEVITON	R68-06674-POT(5%)	17	LEVITON	66672-1L
4	LUTRON	MACL-153MLH-WH(10%)	11	LEVITON	R02-DW6HD-2RW(2.5%)	18	LEVITON	6674-PO
5	LEVITON	R00-RNL06-0TW(10%)	12	LUTRON	MACL-153M	19	LEVITON	IP106-10
6	LEGRAND	RHCL453PNICCV4(10%)	13	LUTRON	CTCL-153P	20	EATON	AAL06-C1
7	LUTRON	P-PKG1W-WH-R(7.5%)	14	LUTRON	DVCL-153P	21	EATON	SAL06P-W-K