



TR-C SERIES

TR-C系列



可控硅调光器开关控制3CCT

Triac dimmer switch controls 3CCT

- ▶ 输入电压/Input Voltage: 120Vac/120-277Vac
- ▶ 输入频率/Input Frequency: 50/60Hz
- ▶ 频闪率小于1%或30%
The stroboscopic rate is less than 1% or 30%
- ▶ 功能配置/Function configuration:

I : 匹配调光器开关实现三段调色温: 黄光→白光→混光(黄光+白光), 带状态记忆功能, 状态切换时间6.4秒, 1秒内两次开关可复位, 开关次数可达10万次以上
Matching dimmer switch to achieve three stages of color temperature: yellow light → white light → mixed light (yellow light + white light), with state memory function, The status switching time is 6.4 seconds, the switch can be reset twice in 1 second, and the switching times can reach more than 100,000 times

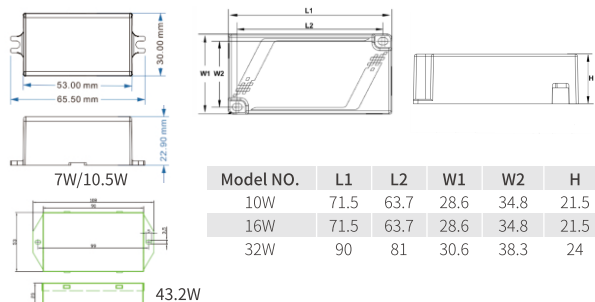
产品功率 Product power

7W	10.5W	14W	24W
26W	28W	43.2W	45W

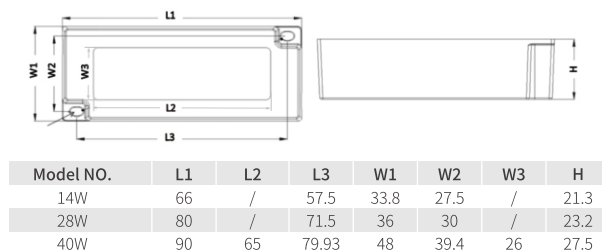
应用灯具 Application luminaire

室内家居、商业照明
Indoor household、commercial lighting

产品尺寸 Product Size



单位/Unit:mm



型号参数列表 Model Parameter List

产品型号 Product Model	输出功率 PO	输出电压 Vout	输出电流 Lout	功率因素 PF	效率 Efficiency	外壳尺寸 (mm) dimensions (mm)
NEPPPVVYYY-9G*	9W	12-42V	250mA	≥0.90	≥76%	L65.5XW30XH23
NE016VVYYY-9G*	14W	12-40V	350mA	≥0.90	≥82%	L66XW33.8XH21.3
NEQQQVYYY-9G*	28W	18-40V	700mA	≥0.90	≥82%	L80XW36XH23.2
NE046VVYYY-9G*	40W	18-49V	1100mA	≥0.90	≥86%	L90XW48XH27.5
NE04604YYY-9G*	45W	27-40V	1200mA	≥0.90	≥86%	L90XW48XH27.5
NE048VVYYY-9G	43.2W	18-54V	1200mA	≥0.90	≥83%	L108XW55XH23
TRX-010#-YYY-XVT	10W	21-40V	250mA	≥0.90	≥86%	L71.5XW34.8XH21.5
TRX-016#-YYY-XVT	16W	21-40V	400mA	≥0.90	≥86%	L71.5XW34.8XH21.5
TRX-026#-YYY-XVT	26W	27-40V	650mA	≥0.90	≥86%	L90XW38.3XH24
TRX-032#-YYY-XVT	32W	27-40V	750mA	≥0.90	≥86%	L90XW38.3XH24

Model 9G=120Vac, 9GH=120-277Vac; Model 010#,#=L is 120Vac,#=K is 120-277Vac

适配调光器明细表 Approved Dimmer List

序号 No:	品牌 Manufacturer	型号 PartNumber	序号 No:	品牌 Manufacturer	型号 PartNumber	序号 No:	品牌 Manufacturer	型号 PartNumber
1	LUTRON	DVCL-153PR(15%)	8	LUTRON	STCL-153PH-WH(5%)	15	LUTRON	TGCL-153P
2	LEVITON	R11-DSL06-1TW(15%)	9	TP-LINK	HS220(5%)	16	LUTRON	PD-6WCL
3	COMMERCIAL ELECTRIC	HPDA311CWB(15%)	10	LEVITON	R68-06674-POT(5%)	17	LEVITON	66672-1L
4	LUTRON	MACL-153MLH-WH(10%)	11	LEVITON	R02-DW6HD-2RW(2.5%)	18	LEVITON	6674-PO
5	LEVITON	R00-RNL06-0TW(10%)	12	LUTRON	MACL-153M	19	LEVITON	IP106-10
6	LEGRAND	RHCL453PNICCV4(10%)	13	LUTRON	CTCL-153P	20	EATON	AAL06-C1
7	LUTRON	P-PKG1W-WH-R(7.5%)	14	LUTRON	DVCL-153P	21	EATON	SAL06P-W-K